

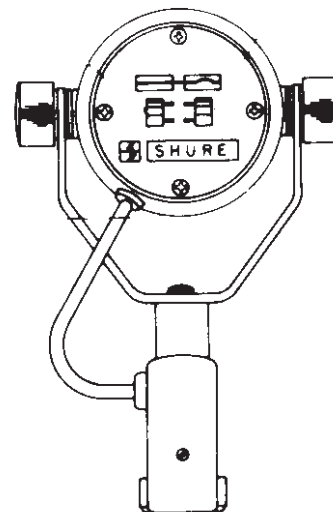
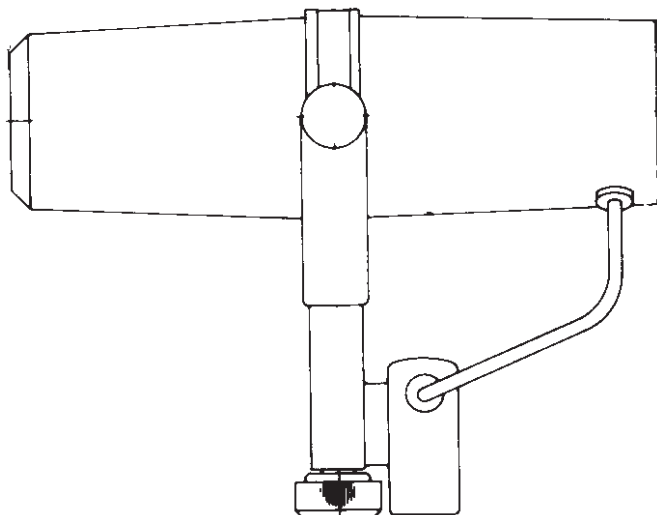


Shure Brothers Incorporated  
 222 Hartrey Avenue  
 Evanston IL 60202-3696 U.S.A.

Phone: 800-257-4873 Fax: 847-866-2279  
 In Europe, Phone: 49-7131-72140 Fax: 49-7131-721414  
 Internationally, Phone: 847-866-2200 Fax: 847-866-2585  
 Web Address: <http://www.shure.com>

## MODEL SM7 UNIDIRECTIONAL DYNAMIC MICROPHONE

## Specification Sheet



### MODEL SM7 UNIDIRECTIONAL DYNAMIC RECORDING MICROPHONE

The Model SM7 is a dynamic microphone with a very smooth, flat, wide-range frequency response. It is meticulously designed for the most exacting music and speech requirements in professional audio applications.

#### Microphone Features:

- Flat, wide-range frequency response for exceptionally clean and natural reproduction of both music and speech
- Classic cardioid polar pattern, uniform with frequency and symmetrical about axis, to provide maximum rejection and minimum coloration of off-axis sound
- Internal "air suspension" shock isolation virtually eliminates mechanical noise transmission
- Highly effective pop filter eliminates need for any add-on protection against explosive breath sounds, even for close-up vocals or narration
- Extremely good rejection of electromagnetic hum due to built-in hum rejection system
- Bass rolloff and mid-range emphasis (presence boost) controls with graphic display of response setting. (See Figure 1)
- Yoke mounting with captive stand nut for easy mounting and dismounting provides precise control of microphone position
- Rugged construction and excellent cartridge protection for outstanding reliability

#### APPLICATIONS

The Model SM7 was field-designed in major recording studios and scoring stages to be the finest dynamic microphone available for music recording and reproduction. Exacting laboratory development programs augmented the field-derived specifications and features to extend the advantages of the SM7 to a wide variety of critical professional audio applications.

The exceptional performance and unique features of the SM7 make it the outstanding choice for such applications as:

- Recording Studio — Instrumental and Vocal
- Location Recording
- Motion Picture and Television Scoring
- Television Talk Shows and News Desks
- Radio Announcing and Production
- Narration
- Fishpole

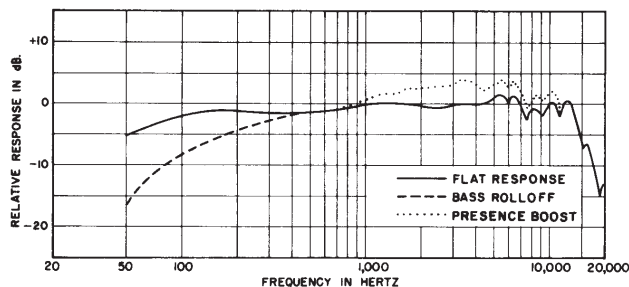
#### SPECIFICATIONS

##### Type

Dynamic

##### Frequency Response

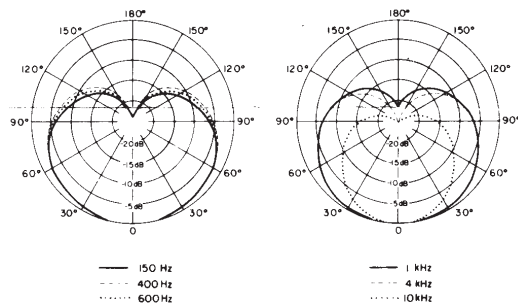
40 to 16,000 Hz (see Figure 1)



TYPICAL FREQUENCY RESPONSE  
FIGURE 1

##### Polar Pattern

Cardioid (unidirectional)—uniform with frequency, symmetrical about axis (see Figure 2)



**TYPICAL POLAR PATTERNS  
FIGURE 2**

**Impedance**

Microphone rating impedance is 150 Ω (150 Ω actual) for connection to microphone inputs rated at 19 to 300 ohms.

**Output Level (at 1,000 Hz)**

Open Circuit Voltage\* ..... -79.0 dB (.11 mV)  
 \*0 dB = 1 volt per μbar  
 PowerLevel\*\* ..... -57.0 dB  
 \*\*0 dB = 1 milliwatt per 10 μbars

**Hum Sensitivity (maximum)**

13 dB equivalent SPL/millioersted  
 (1 mV/10 oersted)

**Switches**

Bass Rolloff and Mid-Range Emphasis: Slotted response selector switches. See Figure 1 for bass rolloff and mid-range emphasis (presence boost) response. See Figure 3 for location of switches.

**Response Selector Switch Cover**

Cover plate (supplied) can be used to prevent accidental change of response setting.

**Cartridge Shock Mount**

Internal air-suspension shock- and vibration- isolator

**Microphone Connector**

Three-pin professional audio connector designed to mate with Cannon XL series, Switchcraft A3 (Q-G) series or equivalent connector.

**Swivel Assembly**

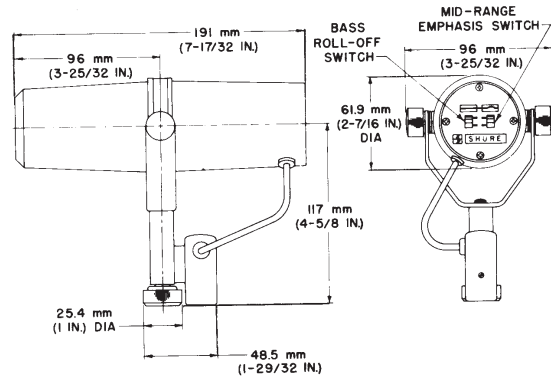
Integral part of microphone with captive nut for ease of attachment to stand, suitable for mounting on stand with 5/8 in-27 thread.

**Case**

Dark gray enamel aluminum and steel case with dark gray foam windscreen

**Dimensions**

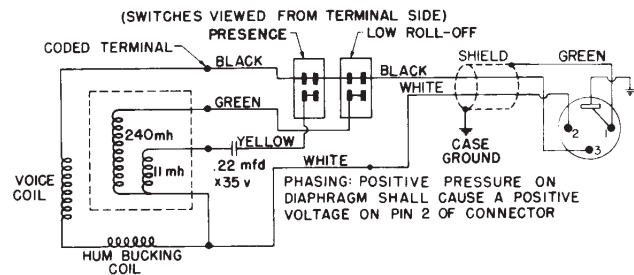
See Figure 3



**OVERALL DIMENSIONS  
FIGURE 3**

**Net Weight**

764 grams (1 lb, 11 oz)



**INTERNAL CONNECTIONS  
FIGURE 4**

**FURNISHED ACCESSORY**

Switch Cover Plate ..... 53A1884

**OPTIONAL ACCESSORIES**

DeskStand ..... S37A, S39A  
 Cable and Plug Assembly (7.6m – 25 ft) ..... C20F