

2720-3L Voltage Controlled Lowpass Filter

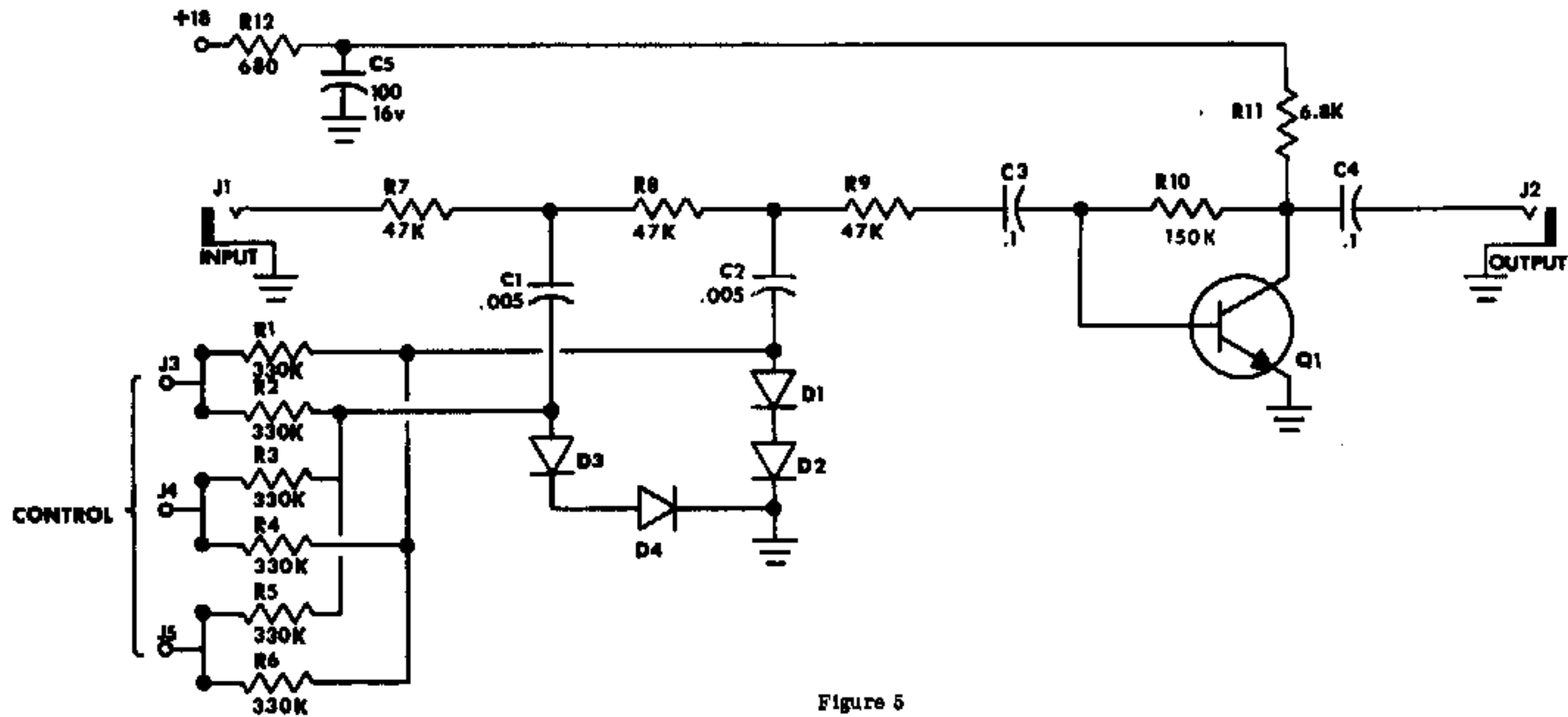


Figure 5