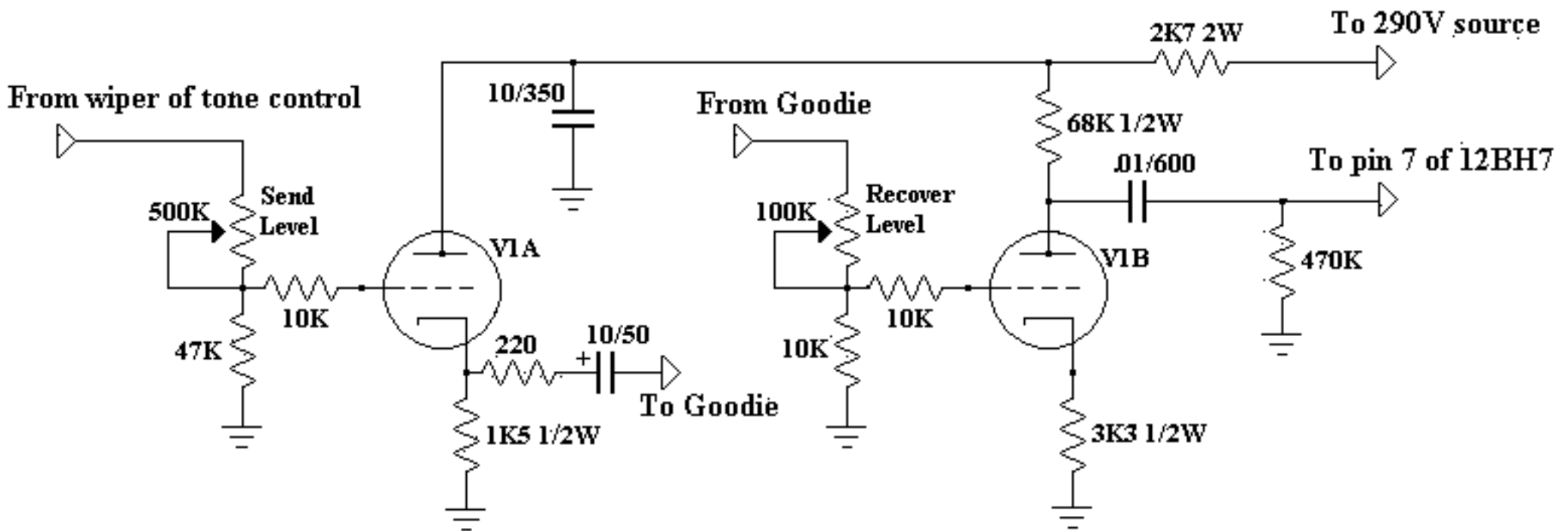
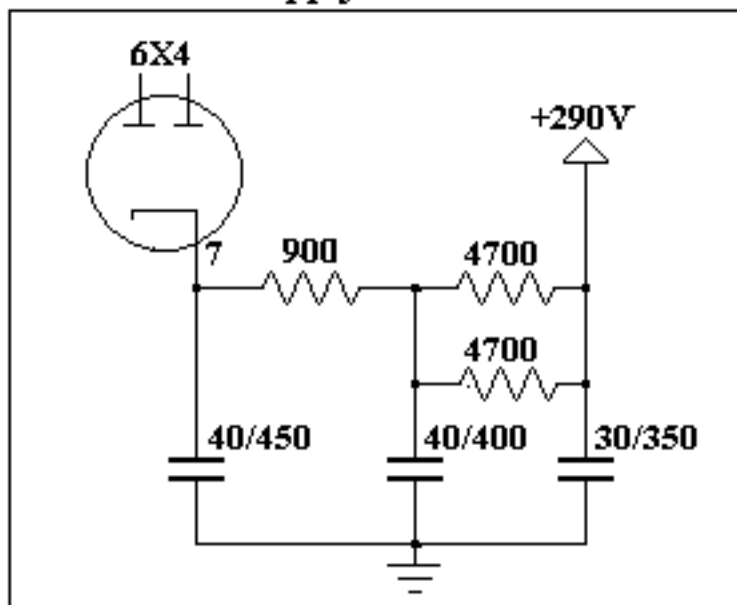


Effects Loop for AO-28



Power Supply in AO-28



Notes:

1. All resistors 1/4 watt, unless indicated
2. V1 12AU7A -- Use shielded socket for low hum
3. Take 6.3V heater supply from pins 3 & 4 of 6X4

R. Schleicher 04-02-96

transcribed from drawing, 07/97 by LWA